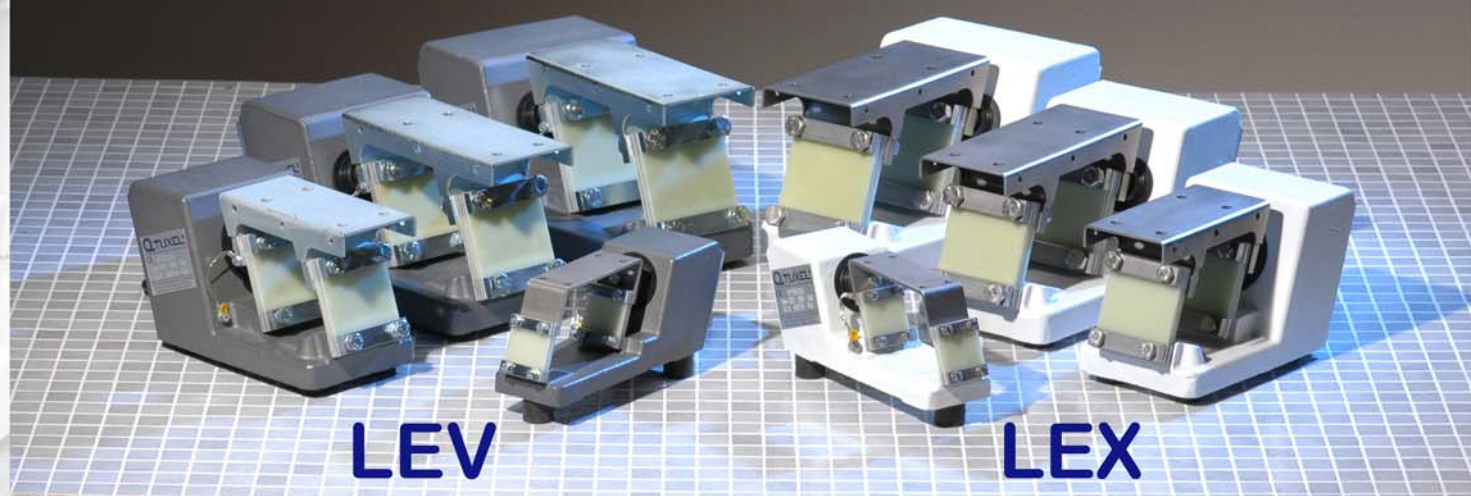




TUXEL®

Electromagnetic linear Feeders



Answers to standards more pointed of the FOOD-PROCESSING INDUSTRY, PHARMACEUTICS, CHEMICAL, etc.

POLYURETHANE Revetment FDA agreement (only on LEX series)

Electromagnetic IMPERVIOUS system IP67

Fibreglass springs LIFETIME GUARANTEED

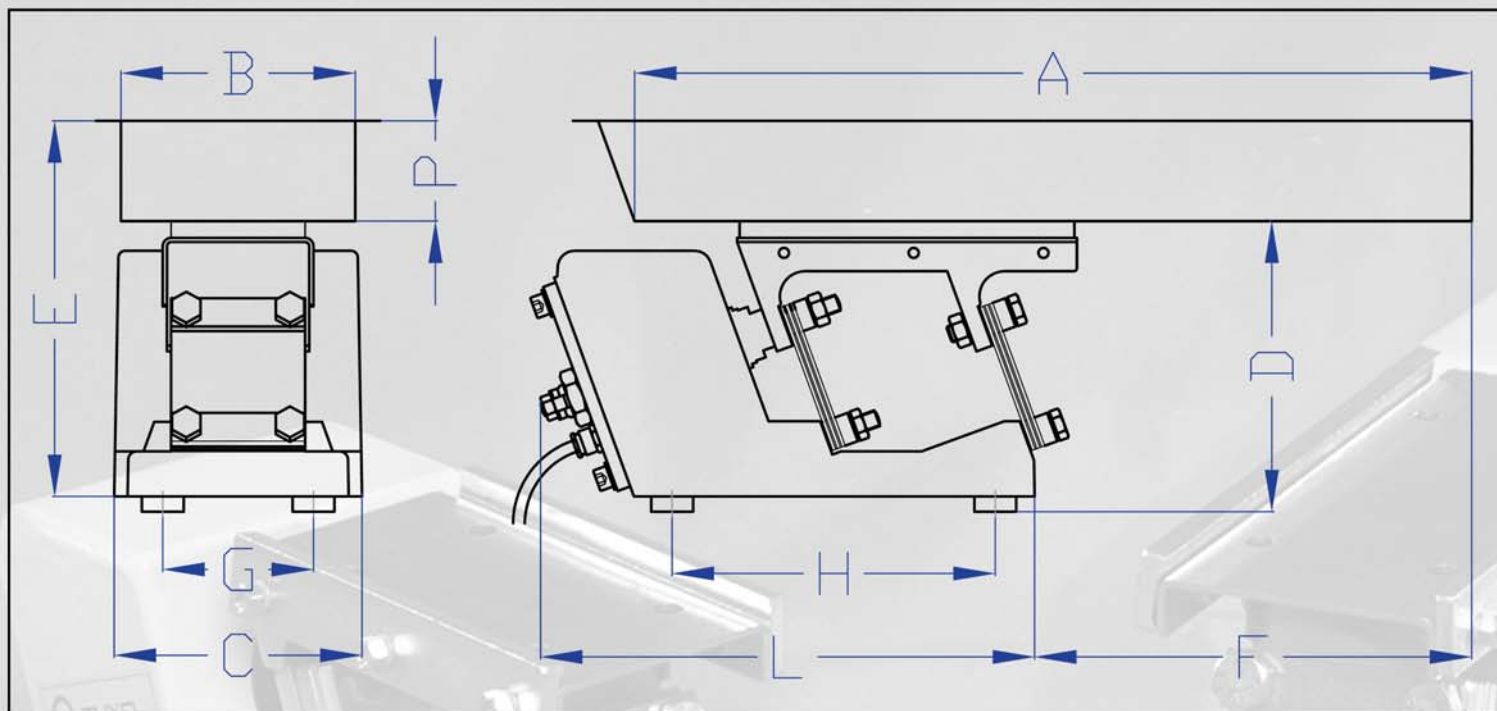
All metallic pieces in STAINLESS STEEL (only on LEX series)

Optional:

Certifications  II 2 G D / Ex e II T4 & Ex tD A21 IP67 T109 °C

<http://www.tuxel-vib.com> info@tuxel-vib.com

DIMENSIONS OF THE STANDARD TRAYS



MODEL	A	B	C	D	E	F	G	H	L	P
LEV/X 1	300	80	78	116	136	117	50	160	230	40
LEV/X 2	500	130	128	150	201	310	75 80	142	230	60
LEV/X 3	700	150	148	174	245	460	90	193	293	80
LEV/X 4	800	200	178	185	255	550	100 120	195	305	80

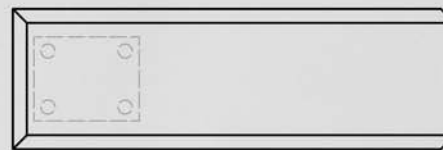
MODEL	GREATEST LOAD OF THE TRAY (INDICATED)	DEBIT (T/h)*
LEV/X 1	1,5 kg	0,6
LEV/X 2	3 kg	2
LEV/X 3	7,5 kg	5
LEV/X 4	10 kg	7

*Calculated on foot sand density 1,6 t/m³

TRAYS TYPES EXAMPLES

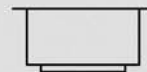
FLAT BOTTOM

Current standard type.
Constant tray width.
Vertical or sloped sides, following requested trough section.



BEVELLED EXIT

To feed a transport band that is perpendicular to the equipment trough.



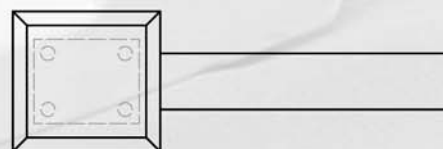
DECREASING WIDTH

To concentrate the materials at the point of unloading.



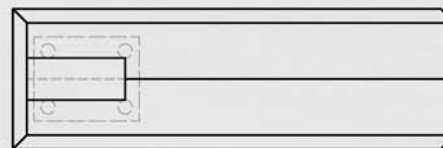
TUBULAR

For dustproof conveyor.
Maximum filling at half-tube.
Slower outputs than those obtained with the other trough shapes.



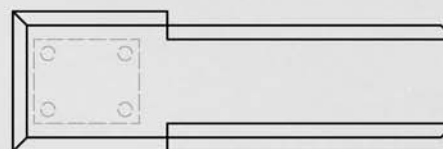
V-SHAPE

To get a narrow and concentrated materials at the point of unloading.

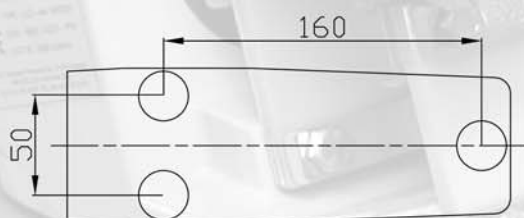
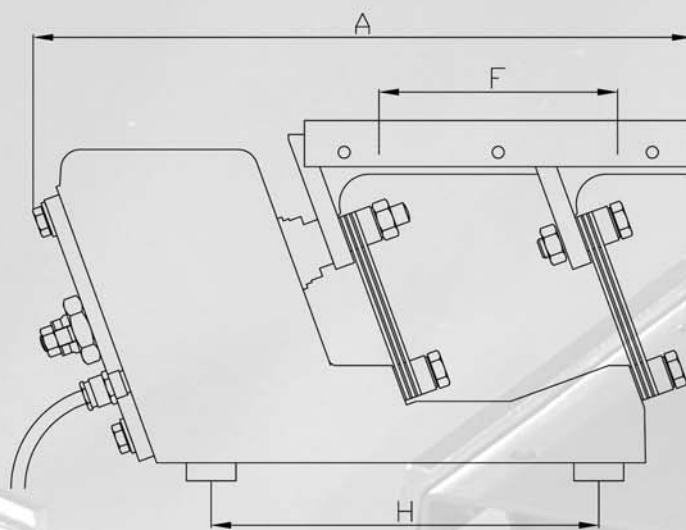
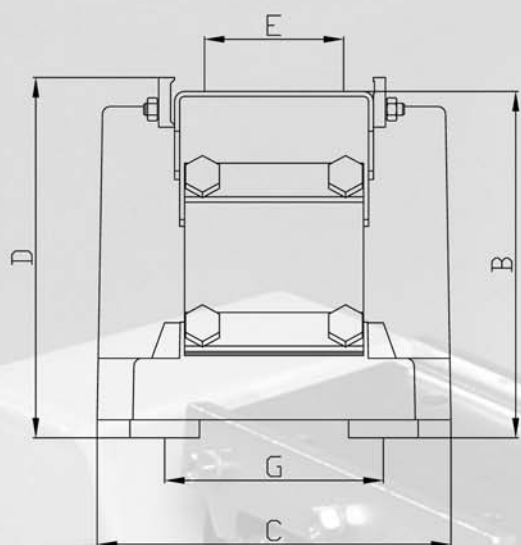


SEMICIRCULAR

Used to transport light and rounded items.
Also with cap.

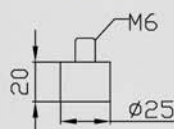


TECHNICAL CHARACTERISTICS AND DIMENSIONS OF THE UNITS

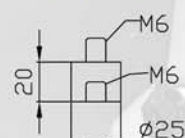


Only model LEV/X 1

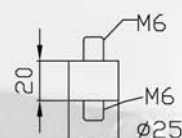
N°1



N°2



N°3



type of anti-vibrating feet

MODEL	WEIGHT	A	B	C	D	E	F	G	H
LEV/X 1	4,6 kg	245	111	78	115	25	76	50	160
LEV/X 2	13,1 kg	260	145	128	152	45	95	75/80	142
LEV/X 3	19,1 kg	326	164	148	171	45	120	90	193
LEV/X 4	26,2 kg	335	175	178	182	60	120	100/120	195



TUXEL®

Theodore Roosevelt street, 19-21
B-1030 Brussels

+32.2.735.38.95. +32.2.736.33.40.

<http://www.tuxel-vib.com> info@tuxel-vib.com

